

## Canopy Air Vent Fitting Instructions



Installation  
video

[bit.ly/3t2mVCv](https://bit.ly/3t2mVCv)

Despatched by:



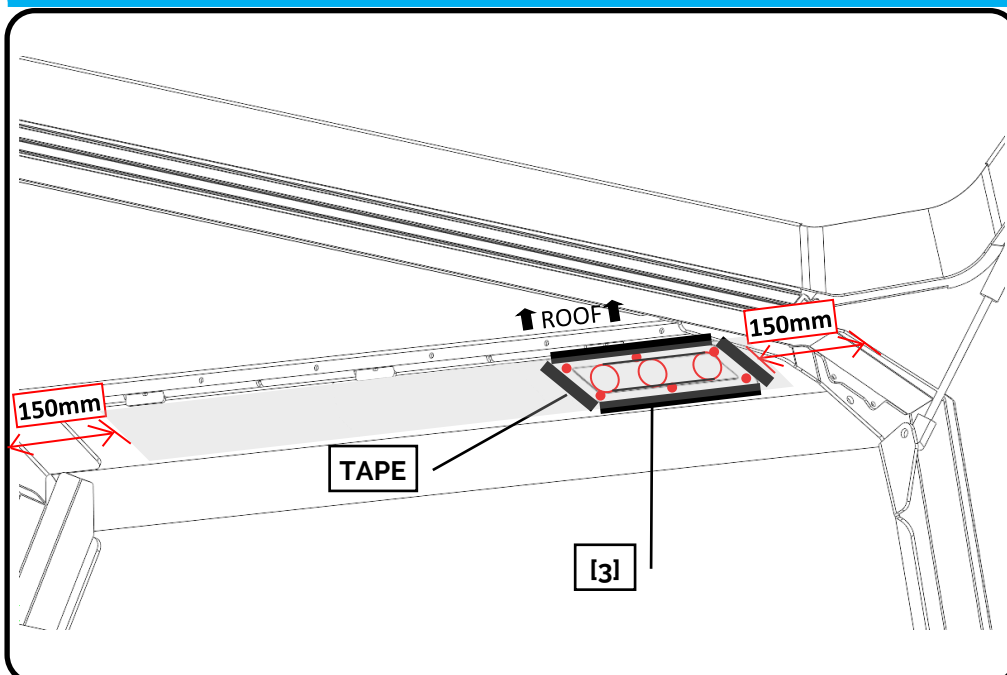
Fitting Time:

45 Mins

### Despatch List:

ID#	DESCRIPTION	IMAGE	QTY	✓
[1]	Canopy Air Vent (CANOPY-AIRVENT)		<b>x1</b>	
[2]	Cover Plate (PRT-003249-04)		<b>x1</b>	
[3]	Steel Drilling Guide (Paper copy attached to end of this document)		<b>x1</b>	
[4]	M4 Nyloc Nut		<b>x6</b>	

1



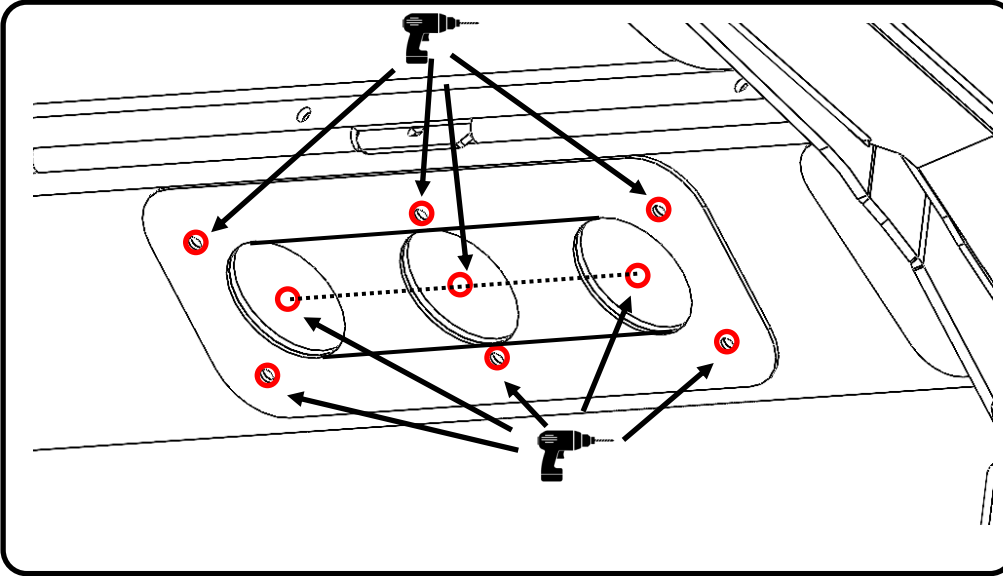
Tape the provided drilling guide [3] on the inside or outside front wall of your canopy as shown.

**Orientate the "Roof" side of the guide with the roof of the Canopy**

The Air Vent can go anywhere along this face as long as its **150mm** from the side

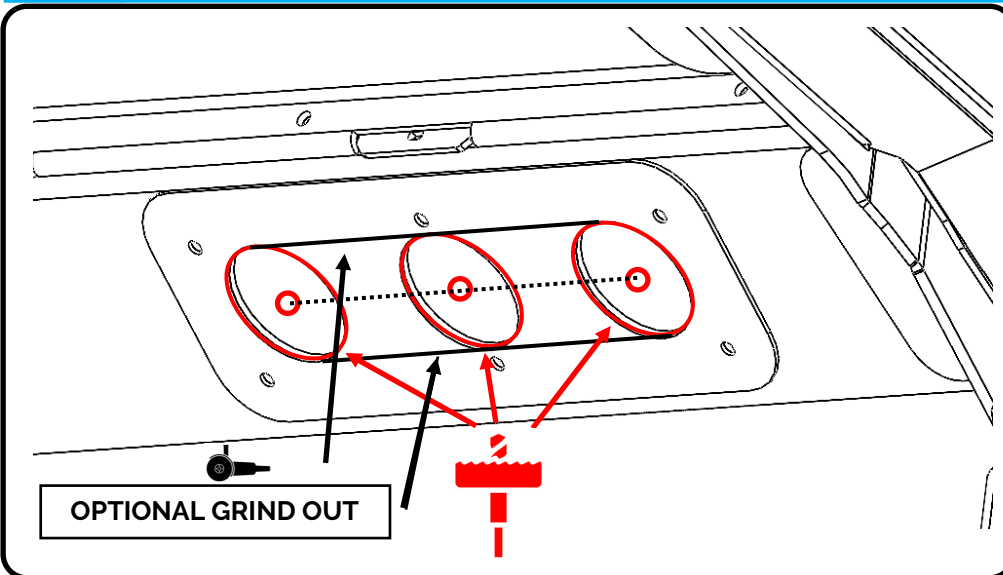
The guide can also be placed on the outside face as long as there is sufficient space to drill

2



Drill out the 6x outside holes using a 5mm drill bit. Drill out the 3x inside pilot holes using the same drill bit

3

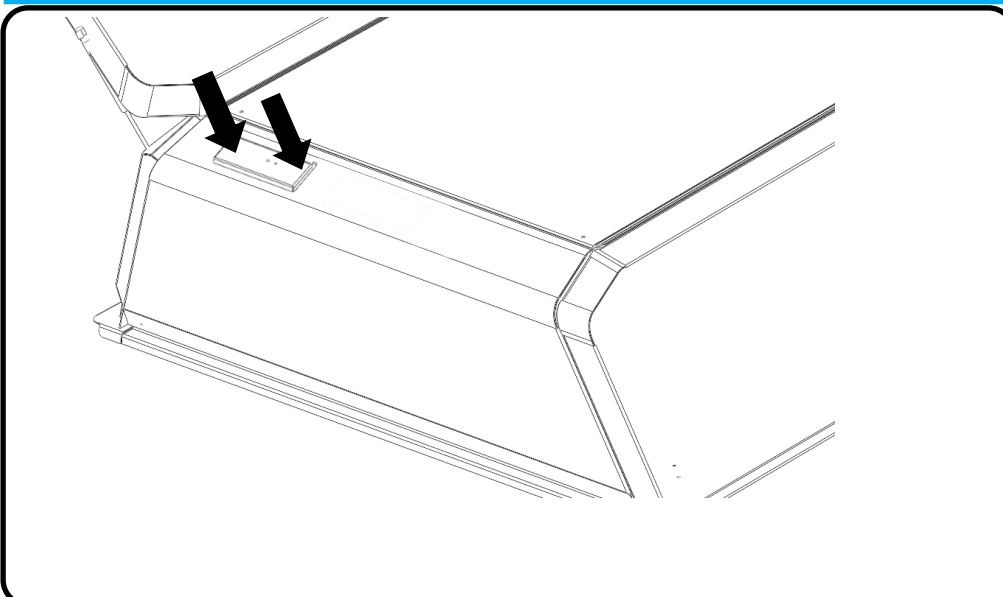


Using a 44mm Holesaw, drill out the 3x large holes using the pilot holes as a guide

**OPTIONAL STEP**

Carefully grind out along the black lines. This can be dangerous so ensure proper protection equipment is used.

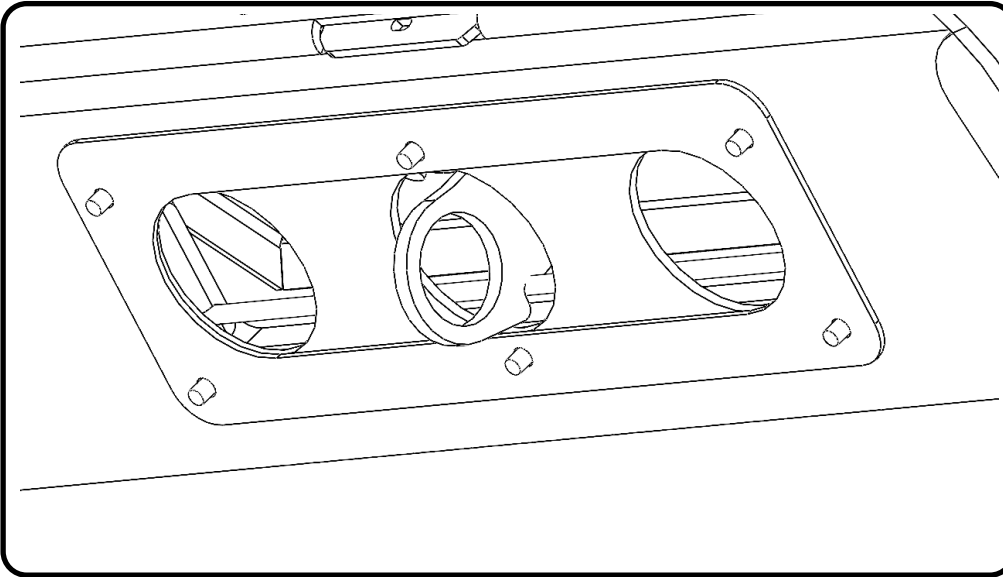
4



Place the Canopy Air Vent **1** over the hole cutout. Align the 6x studs on the vent with the 6x holes that were drilled out in step 3

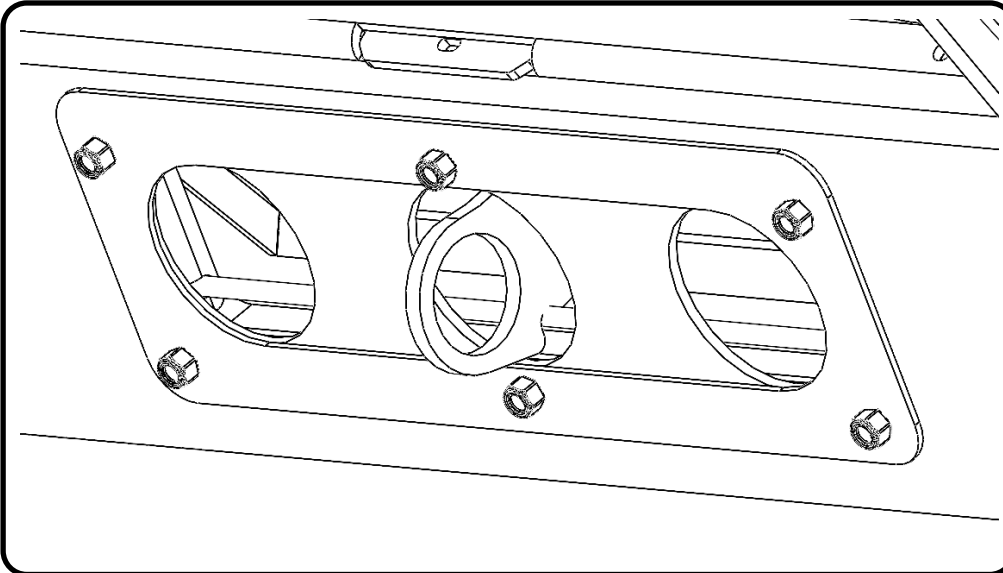
Ensure the air vent hinge is facing the roof so the opening is facing forward

5



Place the cover plate **[2]** over the studs from the inside of the canopy

6



Bolt the Canopy Air Vent to the canopy wall using the provided 6x Nyloc nuts **[4]**

Your Canopy Air Vent is now fully fitted and ready for use.  
Thanks again for choosing Utemaster and don't forget to keep checking our website for our latest innovations!



50mm  
CONFIRM 1:1 SCALE

