

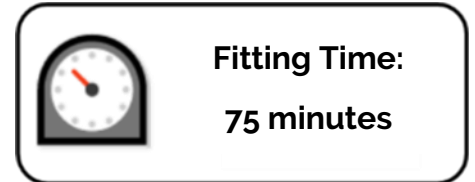
Volkswagen Amarok 2023+ LLX-VWB3

Standard Load-Lid™



Installation
video

bit.ly/3HnElgF



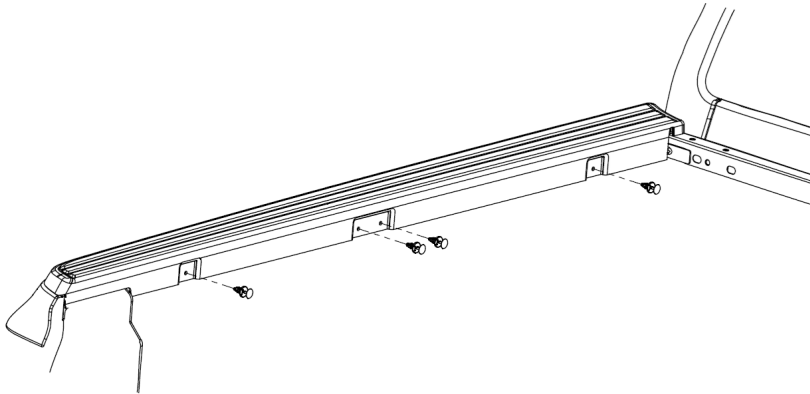
Fitting Time:

75 minutes

Despatch List:

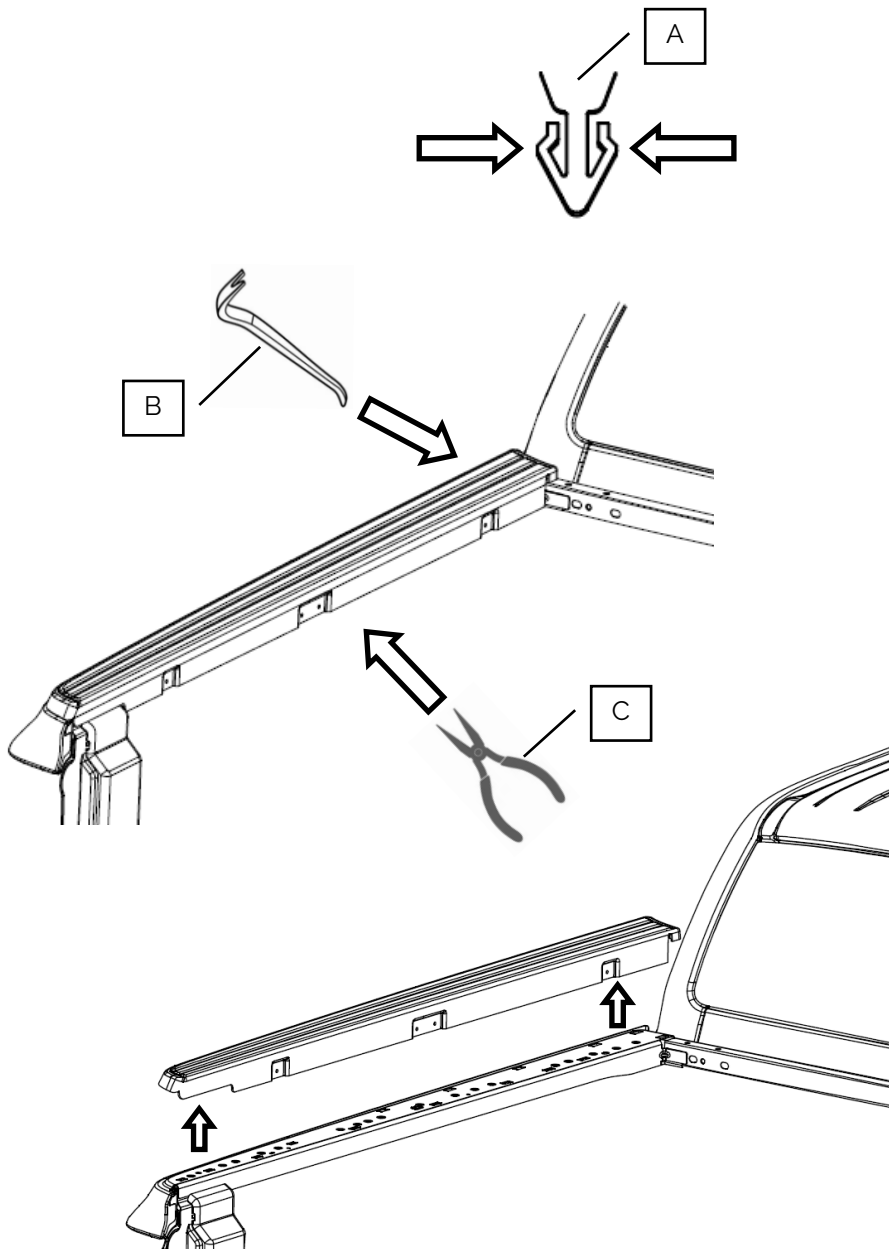
ID#	DESCRIPTION	IMAGE	QTY
1	PRT-006891-01 <i>(with sponge gaskets and PRT-005982 installed)</i>		1x
2	PRT-005962R PRT-005962L		1x 1x
3	PRT-005465R PRT-005465L		1x 1x
4	PRT-005964 <i>(each with 2x rubber strips)</i>		2x
5	PRT-005961		2x
6	PRT-005963		2x

ID#	DESCRIPTION	IMAGE	QTY
7	SS0610-5M		1x
8	TK-M8x25		4x
9	M8 x 25mm Btn Bolt		8x
10	M8 Spring Washer		12x
11	M8 Medium Washer		4x
12	M8 Fender Washer		4x
13	M6 x 20mm Btn Bolt		2x

1

Remove the clips along the side of the plastic caps.

Repeat for both sides.

2

Remove the plastic caps along the sides of the wellside.

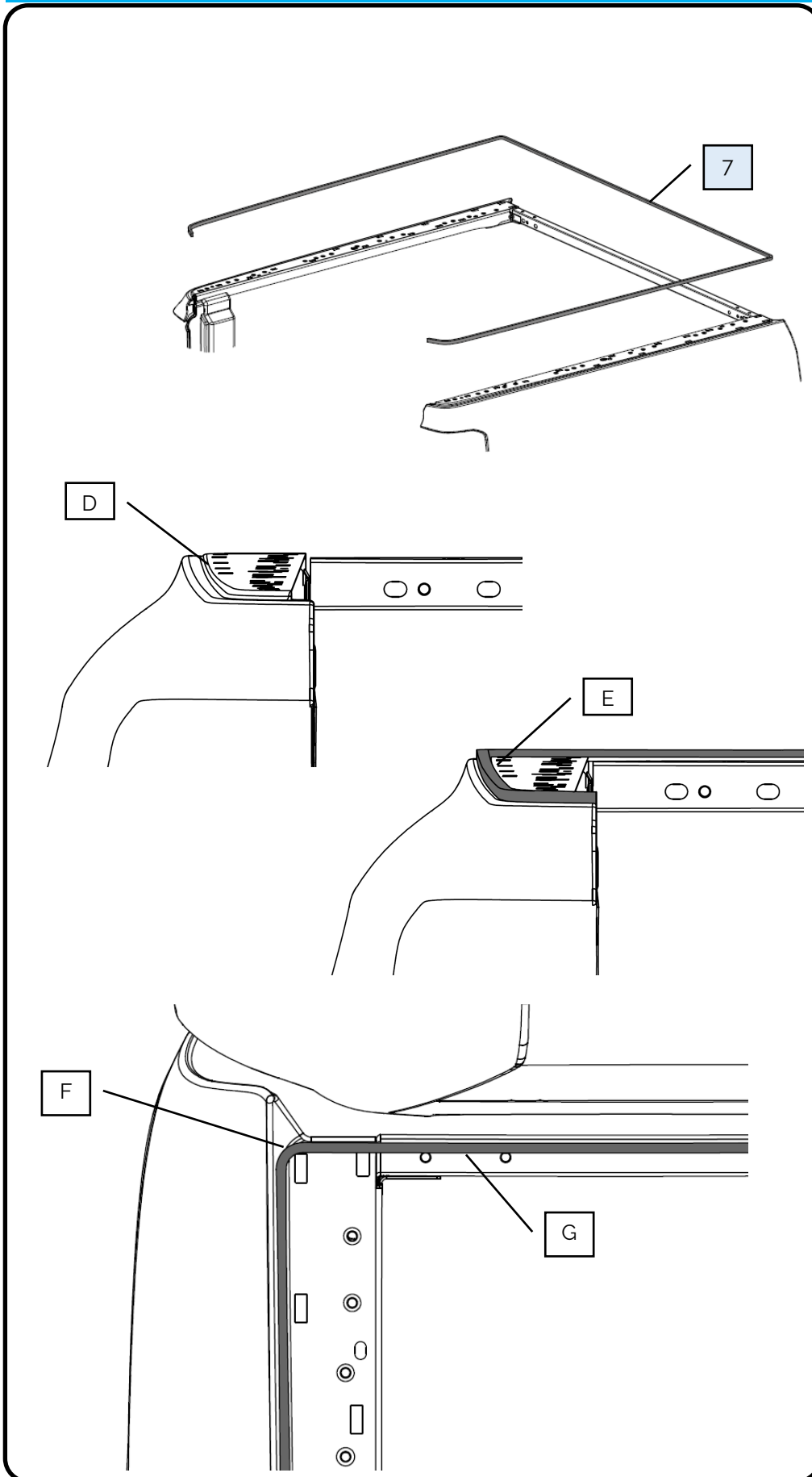
The clips need to have at least one side pushed inwards to release the clip (A).

Some clips need a prying tool (B) inserted under the outside of the caps to release the clips, particularly in the front and rear corners, however most of the clips holding the caps in place can be accessed from inside the wellside using pliers (C).

Take care not to damage the clips or the caps, these will be re-installed later.

Repeat for both sides.

3



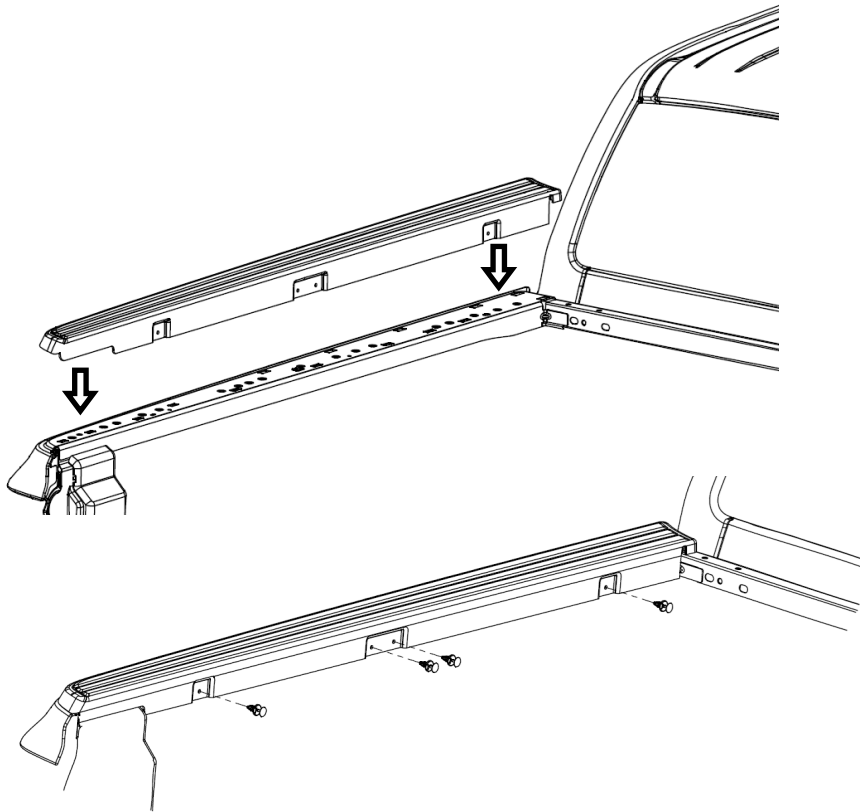
Run the provided sponge seal around the outside of the wellside in a continuous seal, starting at the tailgate on one side and ending at the tailgate on the other side.

Use the raised section (D) along the sides as a guide, the sponge seal should touch the raised section (E).

In the front corners, the sponge seal should turn the corner and run along the front of the wellside (F).

Ensure the sponge seal is in front of the threads (G).

4



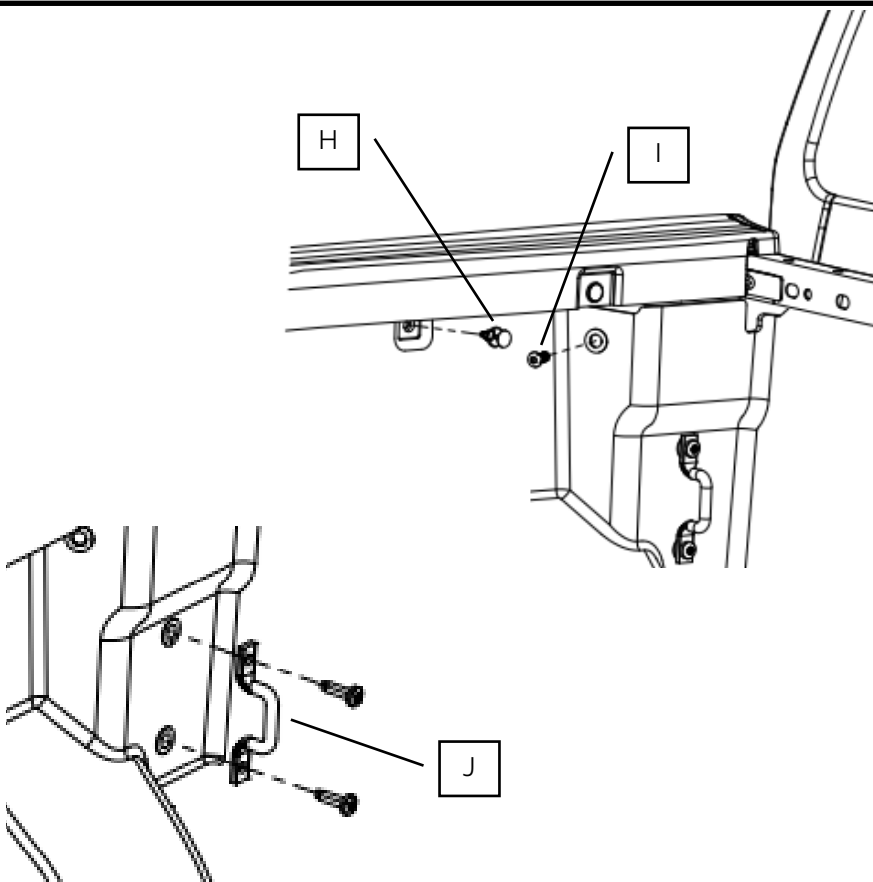
Return the plastic caps to their original position, these should clip back in place.

The caps should compress the sponge seal, but ensure it doesn't bulge out underneath the caps.

Also return the clips to their original position (see Step 1).

Repeat for both sides.

5

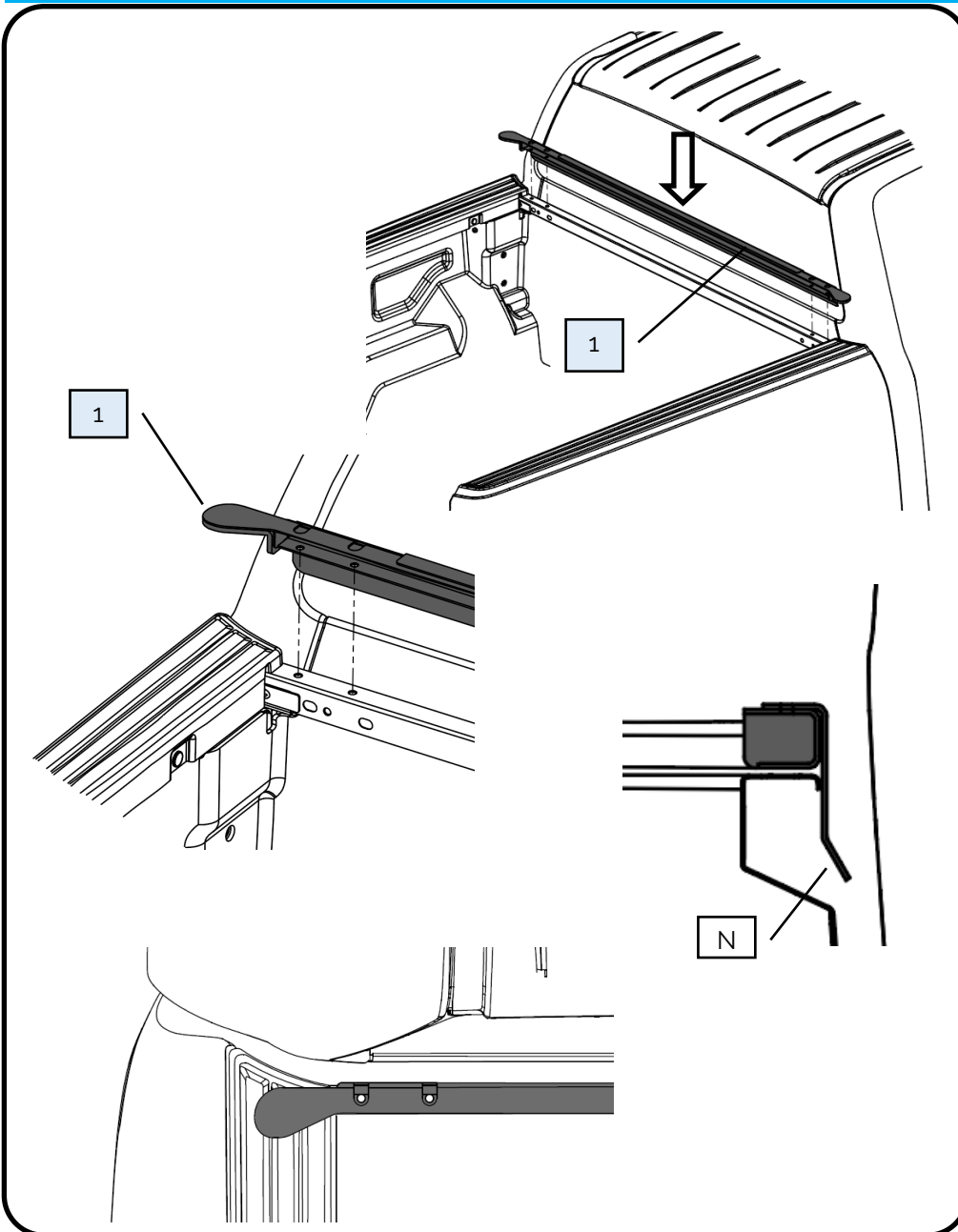


If you have a plastic wellside liner, remove the front clip (H) and bolt (I) holding the liner in the front corner.

Remove the hooks from the front corner (J).

Repeat for both sides.

6



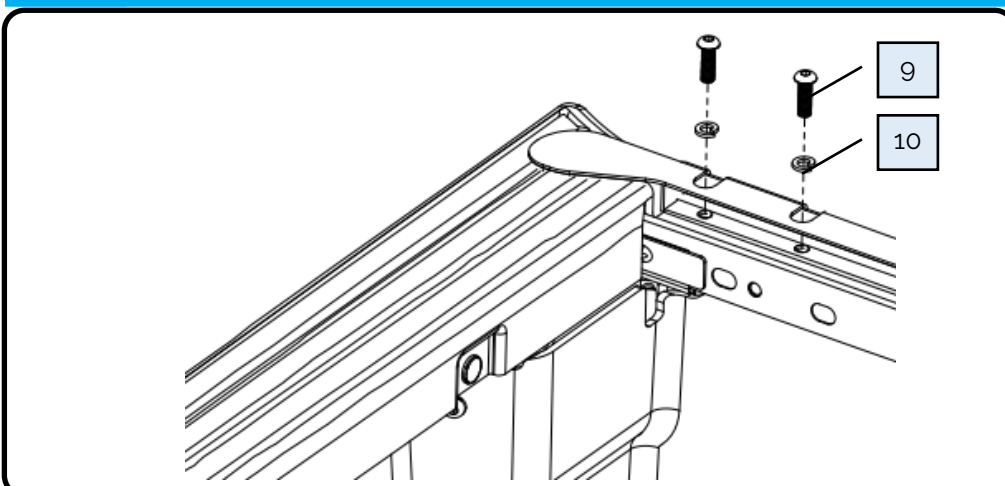
Install the front infill bracket PRT-006891 to the front wall of the wellside, between the two plastic caps.

The overhang sits over the front wall and hangs down between the cab and the wellside (N).

Take care not to scratch the cab when installing.

Ensure the foam compress tightly and leave no gaps.

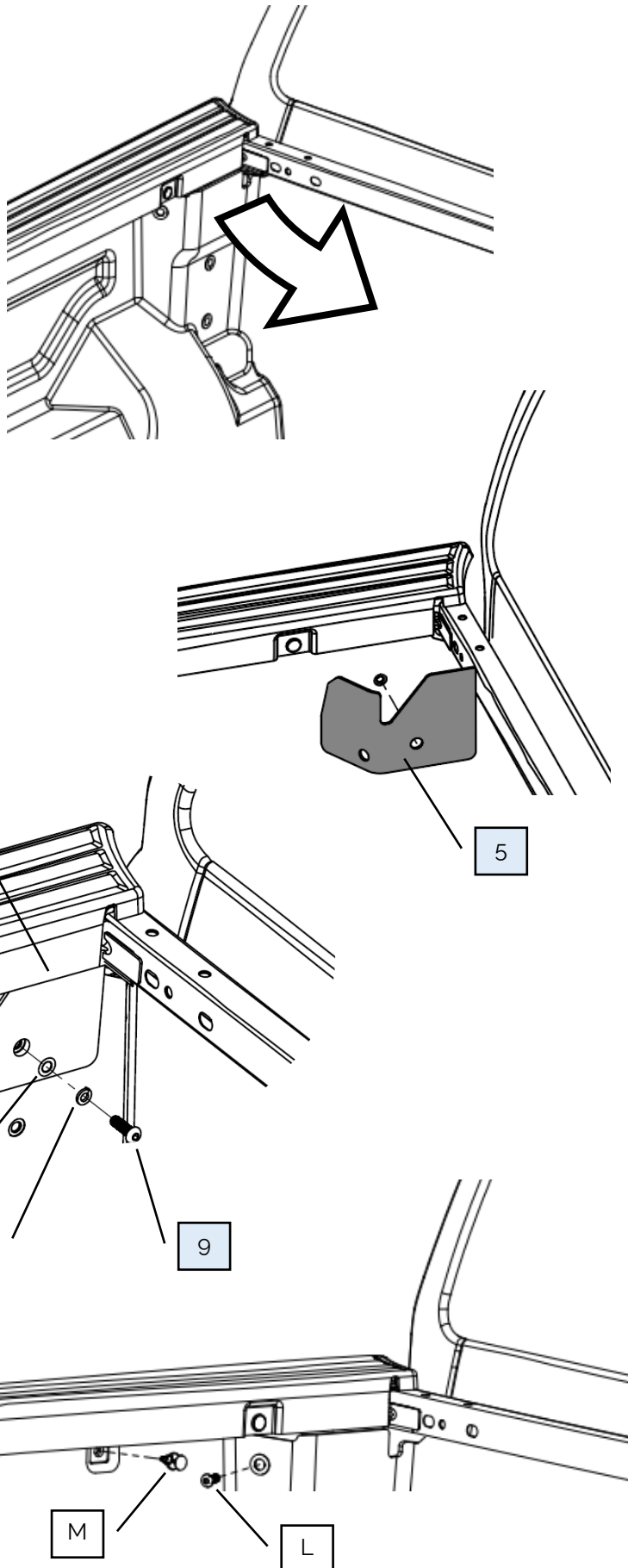
7



Bolt the infill bracket in place using the following fasteners:

- 9) M8 x 25mm Btn Bolt
- 10) M8 Spring Washer

Repeat for both sides.



This step is only relevant for plastic wellside liners, spray liners will need a separate sealing kit

Pull the front corner of the liner away from the wellside wall to give access behind.

Insert the provided rubber gasket. This should sit inside the plastic cap (K). Bolt in place to the front thread using the following fasteners:

- 9) M8 x 25mm Btn Bolt
- 10) M8 Spring Washer
- 11) M8 Medium Washer

Do not overtighten, or the bolt head will pull through the rubber.

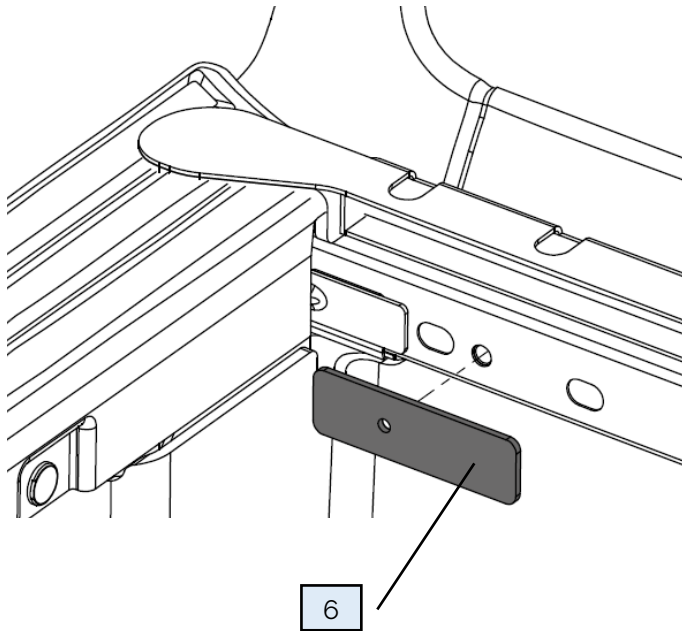
Return the liner to it's original position, sitting over top of the rubber gasket.

Return bolt (L) to its thread, this should pass through the hole in the rubber gasket.

Re-insert the plastic liner clip (M).

Repeat for both sides.

9

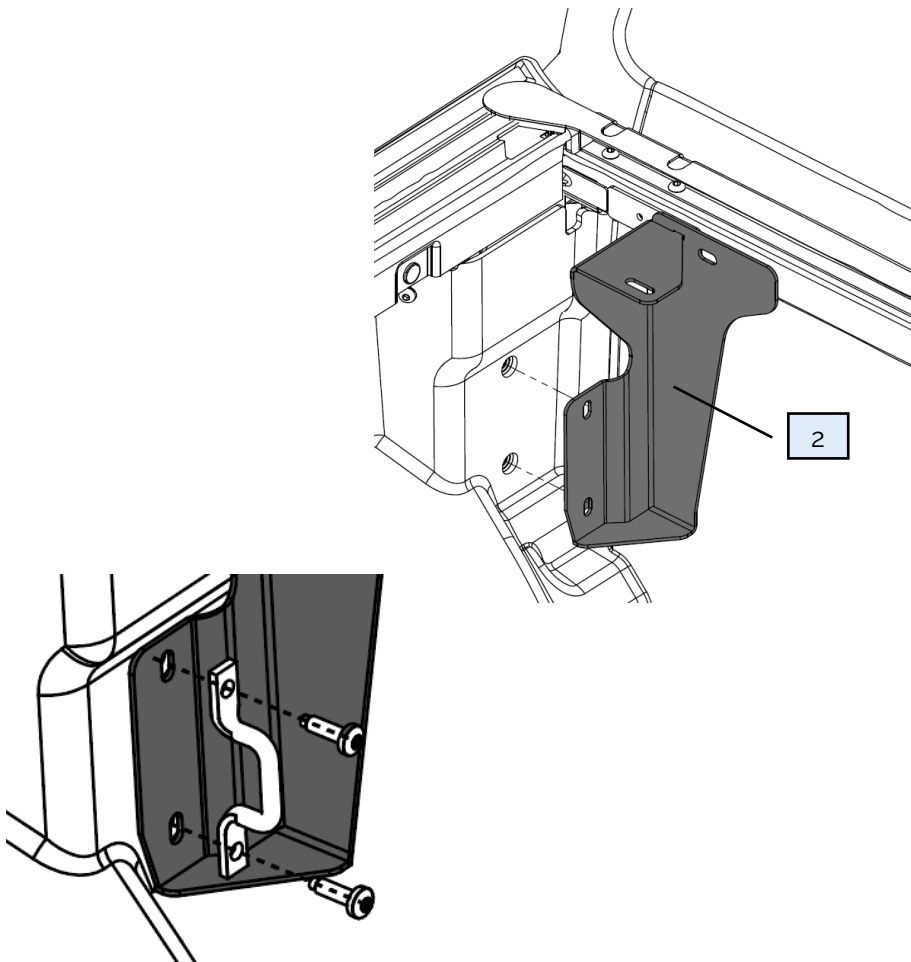


Install PRT-005963 onto the front wall to cover up the open slotted holes.

Ensure the hole in the foam gasket lines up with the thread in the front wall, and that it covers both slotted holes.

Repeat for both sides.

10

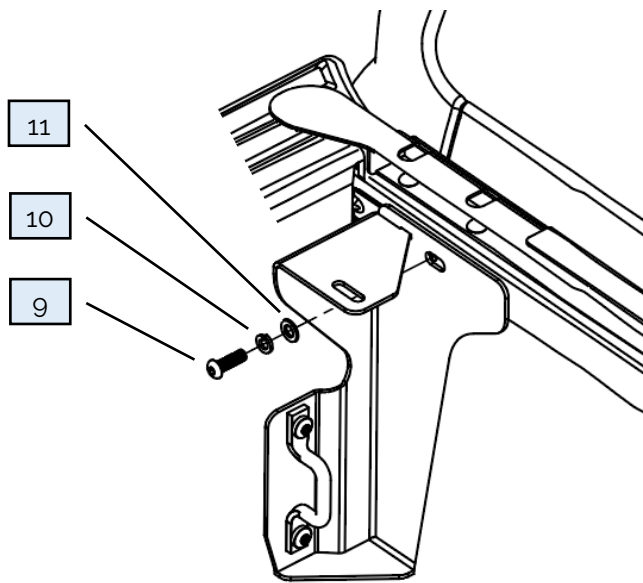


Install the front mounting brackets PRT-005962 into the front corners.

Re-install the hook and bolts through the brackets, leave loose at this stage.

Repeat for both sides.

11



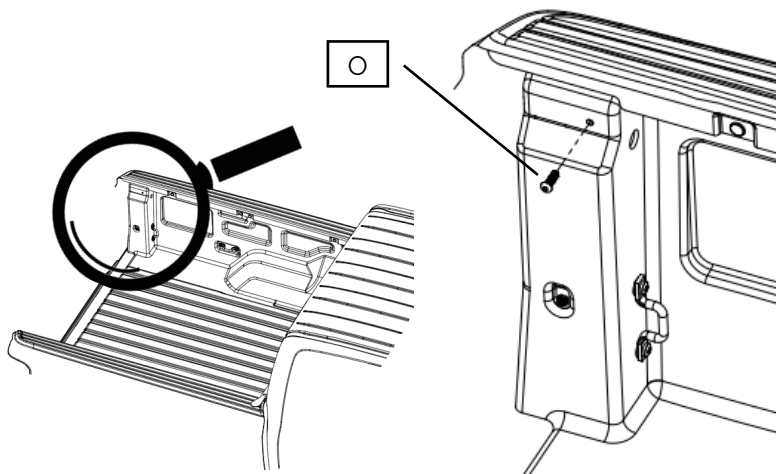
Bolt into the front wall thread using the following fasteners:

- 9) M8 x 25mm Btn Bolt
- 10) M8 Spring Washer
- 11) M8 Medium Washer

Tighten these bolts and the hook bolts (from previous step).

Repeat for opposite side.

12



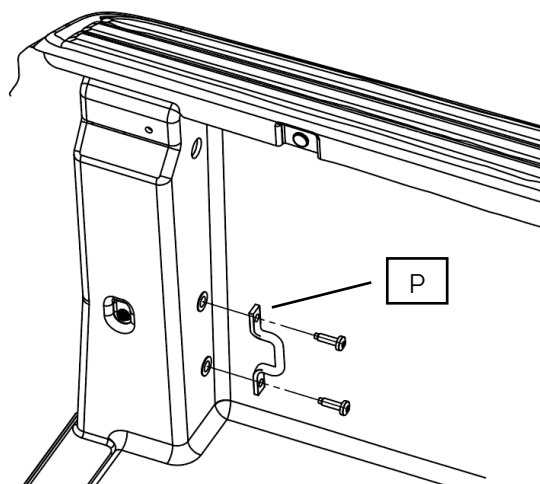
Remove the existing bolt in the top rear rear corner of the wellside (O).

Keep this bolt for using later.

Repeat for opposite side.

Note: Some vehicles don't have this bolt and can skip this step.

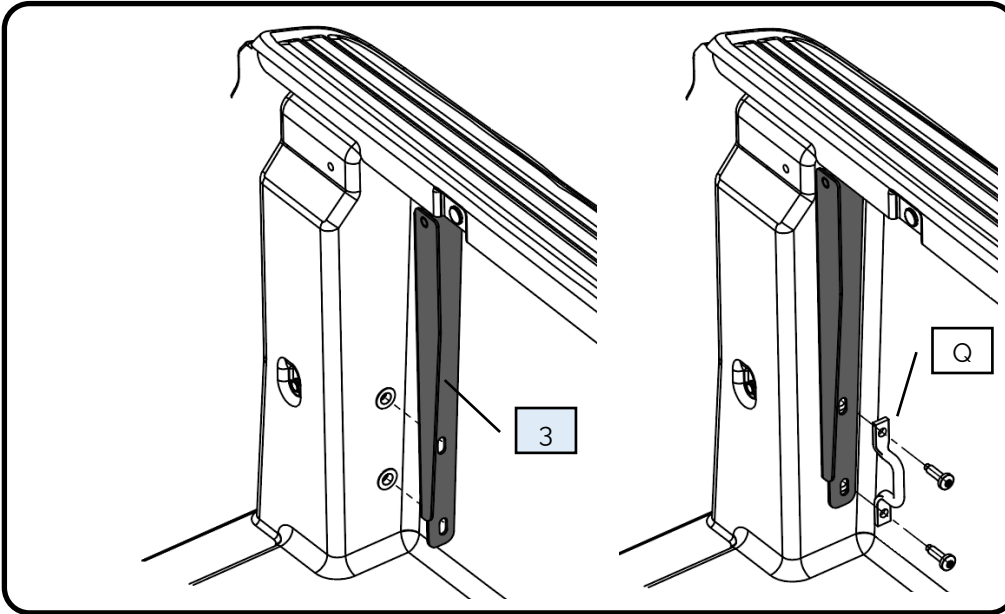
13



Remove the hooks from the rear corners (P).

Repeat for opposite side.

14

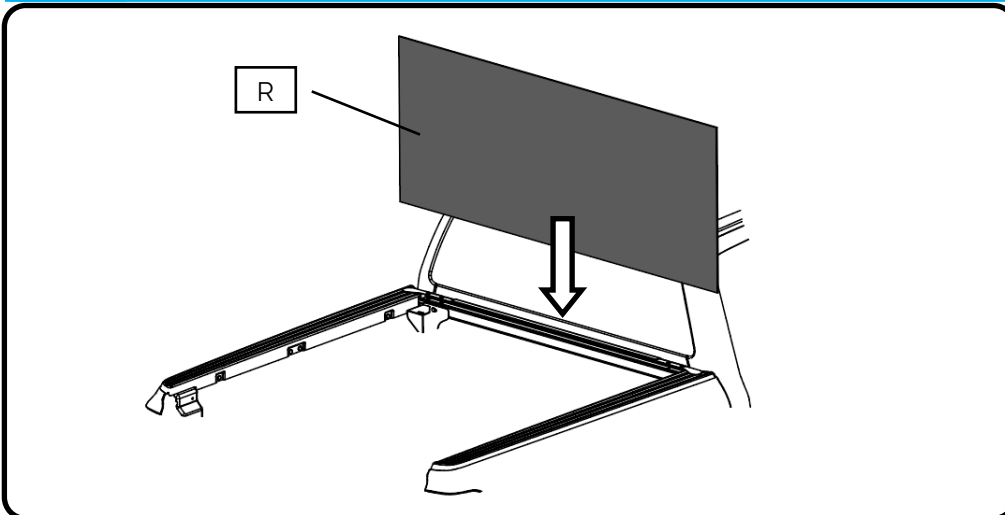


Install the rear mounting brackets PRT-005465 into the rear corners.

Bolt in place using the original hook and bolts (Q) from the previous step.

Repeat for opposite side.

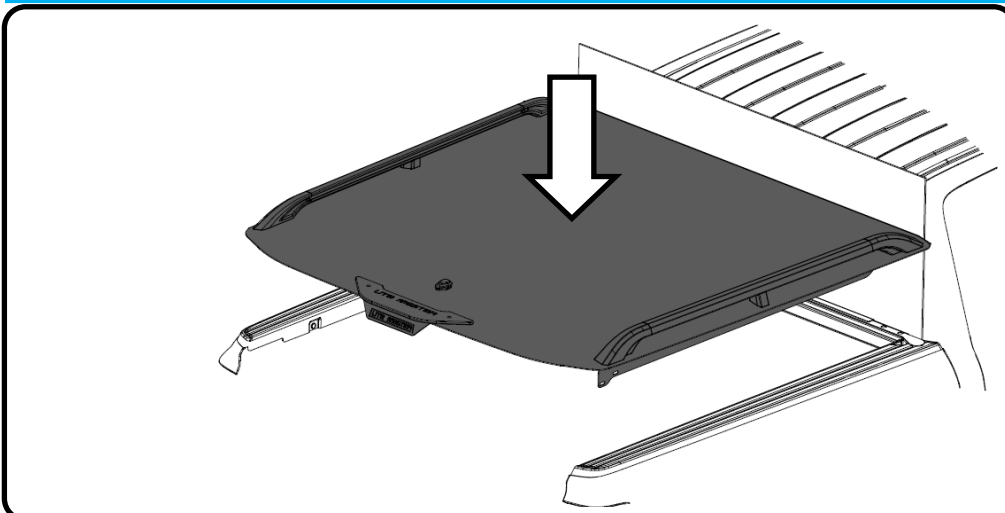
15



Insert cardboard (R) between the cab and wellside to protect the paint from scratching during installation.

Note: Cardboard not supplied.

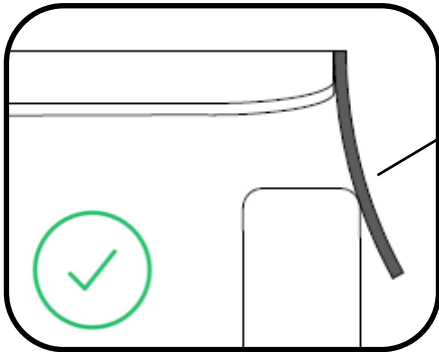
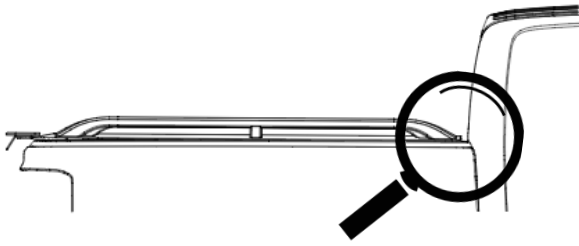
16



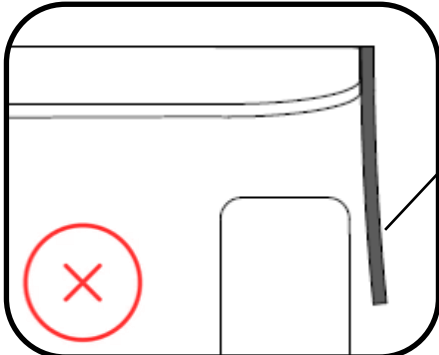
Lift the Load-Lid onto the vehicle.

Note: Lower the tailgate before lifting the Load-Lid into place. This will help with upcoming steps.

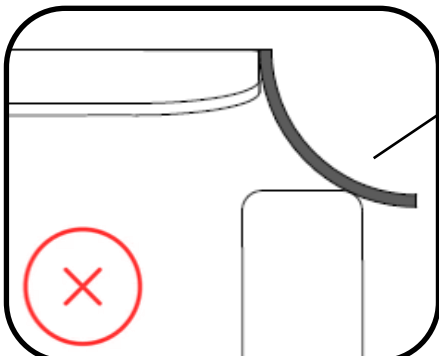
17



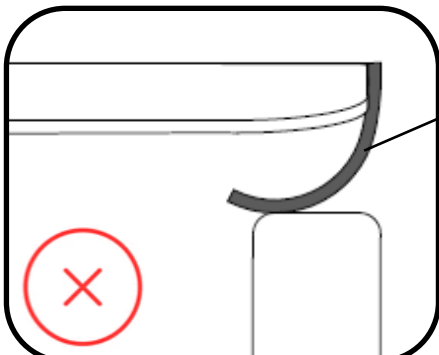
CORRECT:
Slight tension on the rubber flap



INCORRECT:
Load-Lid is pushed too far forward, there is no tension on the rubber flap.



INCORRECT:
Load-Lid is pulled too far backwards, there is too much tension on the rubber flap.



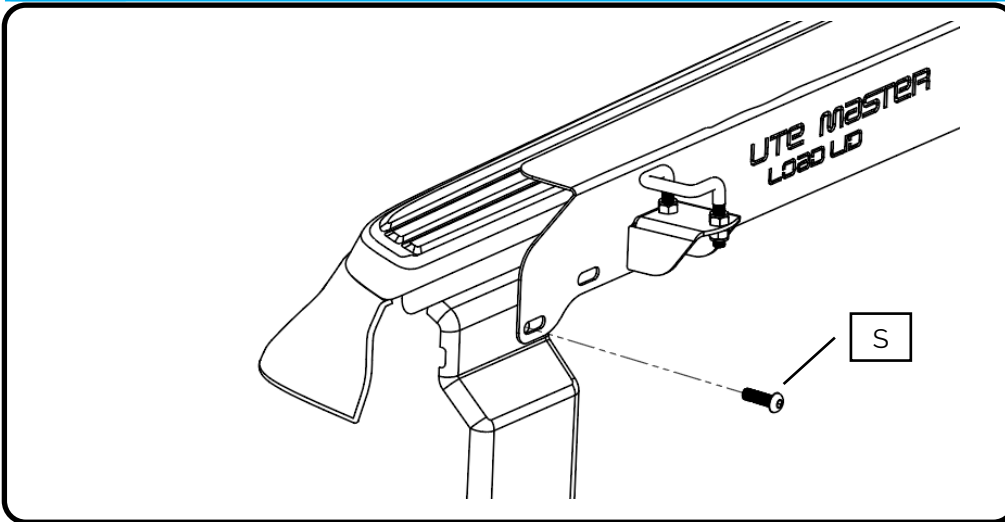
INCORRECT:
Rubber flap is bunched under the Load-Lid.

Adjust the position of the Load-Lid forwards or backwards until the tension on the front rubber flap is correct.

See diagrams for more information.

Once the Load-Lid is sitting correctly, check it is sitting square on the wellside, not at an angle.

18

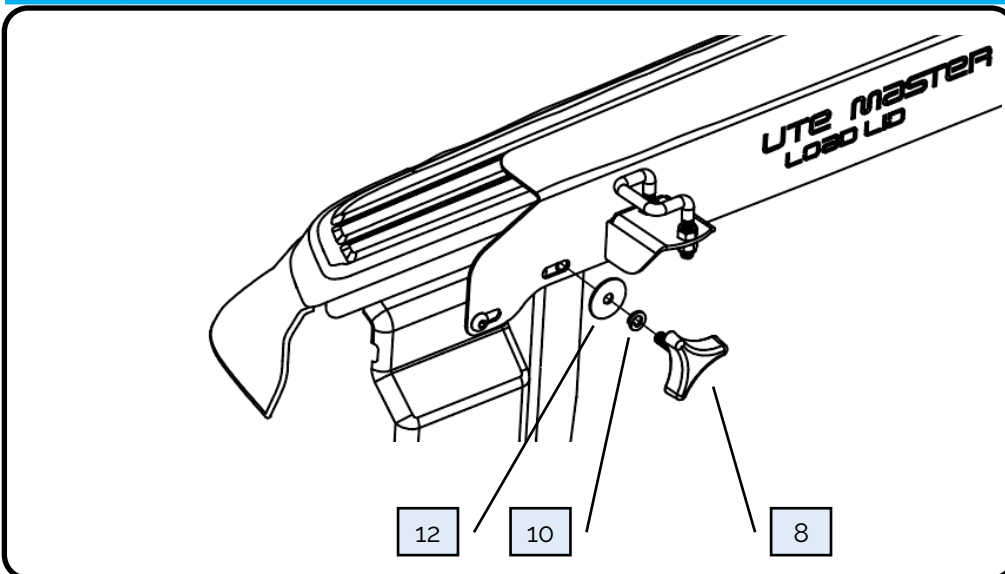


Without moving the Load-Lid, reach in through the open tailgate and insert the original bolt from Step 12 (S) through the mounting frame into the wellside thread.

Repeat for opposite side.

Note: If there was no bolt removed in Step 12, use:
13) M6 x 20mm Btn Bolt

19

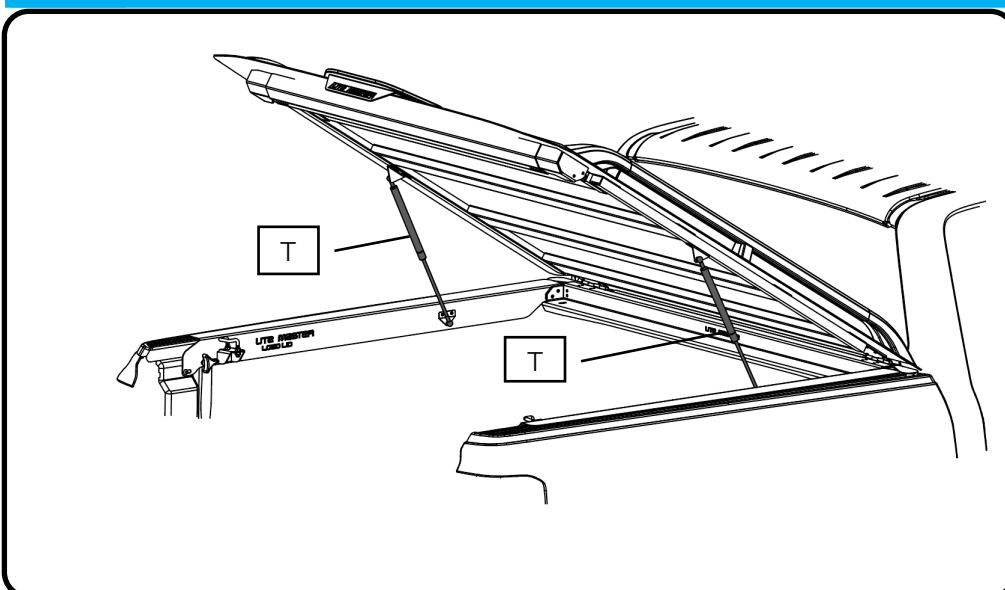


Reach through the open tailgate and bolt through the mounting frame into the rear mounting bracket using the following fasteners:

- 8) M8 x 25mm Tri-Knob
- 10) M8 Spring Washer
- 12) M8 Fender Washer

Repeat for opposite side.

20

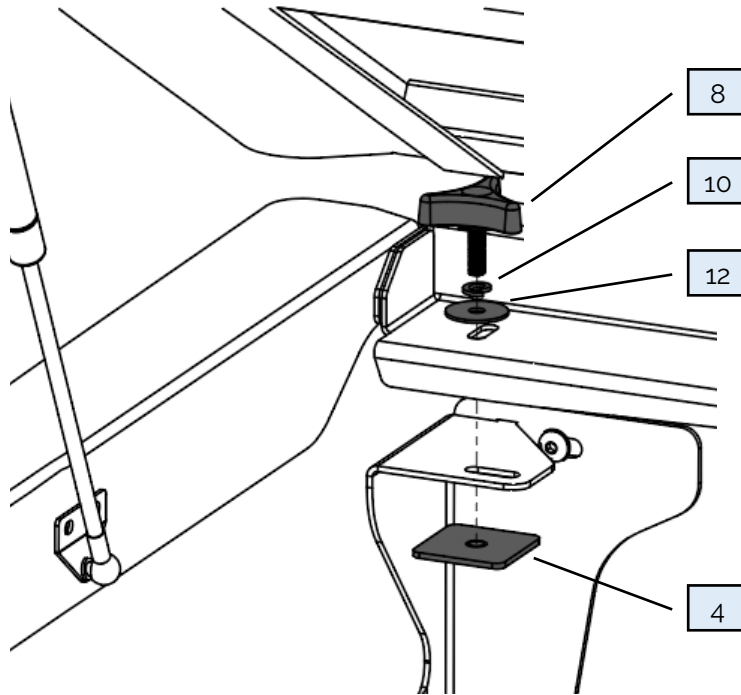


Have someone hold the Load-Lid open.

Cut the cable ties holding the gas stays underneath the Load-Lid, and clip them into the brackets on the mounting frame.

The Load-Lid will support itself once both gas stays are connected.

21



In the front corners, bolt through the mounting frame and front mounting bracket into the provided thread plate, using the following fasteners:

- 8) M8 x 25mm Tri-Knob
- 10) M8 Spring Washer
- 12) M8 Fender Washer
- 4) PRT-005964

Note: The thread plate sits underneath the front mounting bracket.

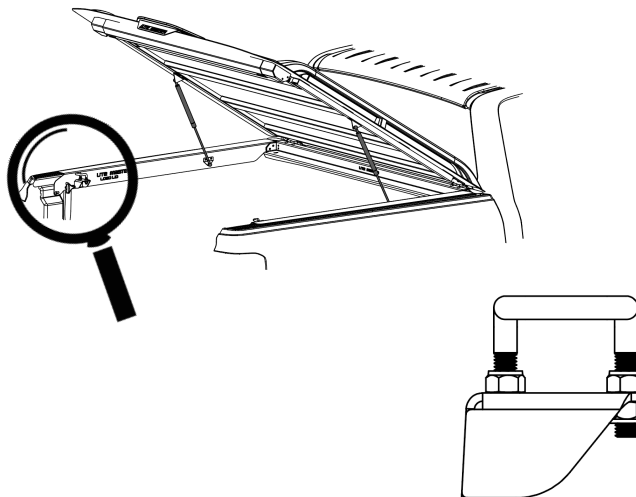
Fully tighten the fasteners.

Repeat for opposite side.

22



<https://wi.st/2Bp7XJg>



Adjust the nuts on the lock strike to affect the final closing height of the Load-Lid.

Refer to the video shown on the QR code for details.

IMPORTANT NOTE:

When removing and refitting:

- Disconnect the gas stays and lock the Load-Lid into the mounting frame before undoing the clamps and removing the Load-Lid (this prevents damaging the wellside).
- When refitting the Load-Lid, ensure the rubber flap at the front of the Load-Lid is pressing firmly against the front of the wellside (refer to Step 17).
- If your Load-Lid has a rattle when driving, loosen all clamps and pull the Load-Lid back slightly to ensure the rubber flap is pressing firmly on the front (refer to Step 17), and re-tighten all clamps.